

# A new take on home cinema




Scores soar. Details dance. Spaces transform. With Beovision Theatre, you're not just watching cinema – you're living it.

Front and centre. Every night. Beovision Theatre is our complete cinematic experience for film lovers. Crystal-clear 4K screen. Room-filling, Dolby Atmos-ready sound. And your cables? Tucked away.

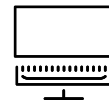
Four patent-pending acoustic innovations in one sleek cabinet envelop you in sound from every angle. Made with materials as beautiful as they are durable, Beovision Theatre is made to last for generations



## Why you'll love it

-  Sound that surrounds
-  All beauty. No clutter
-  For generations to come





**Technical**

**CABINET PRINCIPLE**

Closed cabinet

**LOCAL BUTTONS**

Volume up/down, Play/pause,  
Step forward/previous, Touch to join,  
Bluetooth pairing and 4 favorite buttons

**LOUDSPEAKER**

11 outputs:  
7 Internal: Left, Centre, Right / Left and  
Right side-firing / Left and Right up-firing  
4 Virtual: Virtual Left and Right Surround /  
Virtual Left and Right Front Height

**AMPLIFIER**

12 power amplifiers:  
2 x 100 watts amplifiers for bass outputs  
10 x 60 watts amplifiers for center channel,  
left/right/upfiring/side firing outputs

**SPEAKER CONFIGURATION**

12 speaker drivers  
2 x 6.5" woofer custom made  
1 x 5.25" midrange + 1 x 1" tweeter for  
custom made coaxial centre speaker  
2 x 3" midrange  
4 x 2.5" full range  
2 x 1" tweeter

**ADVANCED SOUND FEATURES**

Integrated 7.1.4 Dolby Atmos decoding  
and custom-tuned post-processing  
with proprietary True Image  
up- / downmixing algorithm.  
Advanced Bass management system  
Adaptive Bass Linearisation (ABL)  
Thermal protection

**ROOMSENSE**

Automated speaker setup with  
external microphone:  
· Speaker level and distance  
· Speaker role  
· Speaker position compensation  
from 30 – 10.000Hz  
· Room resonance compensation  
from 30 – 200Hz

**FREQUENCY RANGE**

28 Hz - 23,000 Hz

**MAXIMUM OUTPUT LEVEL (SPL) @1M**

112 dB SPL

**BASS CAPABILITY @1M**

94 dB SPL

**SOUND FORMAT HDMI**

Dolby Atmos supporting:  
Dolby Digital TrueHD  
Dolby Digital plus 7.1 (including DD5.1)  
Dolby Atmos, Dolby MAT

PCM 7.1 multichannel

MPEG-2 AAC  
MPEG-4 HE-AAC

**TOUCH UI WITH PROXIMITY SENSOR**

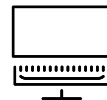
Ultrasonic sound for detection of  
a person within 60 cm range

**POWER CONSUMPTION**

Typical: 120 W

**TV SCREEN**

Optimised for LG OLED C4/G4/Z3  
55"/65"/77"



## Connectivity

### WIRED CONNECTIVITY

3 x HDMI input with CEC input  
 1 x HDMI eARC with passthrough 4K 120FPS / 8K 60FPS / 40Gbit  
 Analogue audio in via USB-C (3.5 mm passive jack adaptor required. B&O partno. 6271374 )  
 Ethernet switch with 4 x 1Gbit ports.  
 One port assigned for LG OLED TV connection for integrated control via Beoremove One.

### WIRELESS CONNECTIONS

Dual band WLAN 2.4 / 5GHz  
 IEEE 802.11 b/g/a/n/ac  
 Standard built-in, WiSA compliant.  
 Connect up to eight Beolab loudspeakers wirelessly in addition to the wired loudspeakers.  
 Bluetooth 5.1 (BLE and EDR)  
 Bluetooth Codecs: Android (SBC)  
 iOS: (SBC and AAC)

### INTEGRATED MUSIC SERVICES

Bang & Olufsen Radio  
 TIDAL  
 Deezer (incl. Deezer HiFi)

### VOICE ASSISTANT

Via external Google assistant device

### REMOTE CONTROL

Integrated system control, including LG OLED TV  
 Beoremove One BT  
 Bang & Olufsen App for music streaming  
 Beoremove Halo for music streaming

### STREAMING SERVICES

Apple AirPlay  
 Bluetooth audio streaming  
 HomeMedia  
 Google Cast  
 Spotify Connect  
 TIDAL Connect  
 Deezer Connect  
 QPlay 2.0

### BEOLINK SURROUND

Enjoy a true surround sound experience by connecting additional speakers to your setup through wired or wireless connections.

### MULTIROOM

Apple Airplay multiroom  
 Google Cast groups  
 Beolink Multiroom incl join of TV / HDMI input sound (not in sync) and analogue line-in

### SPEAKER OUTPUTS

8 x Wireless Powerlink  
 8 x Powerlink  
 4 x Digital Power Link

### PERIPHERAL UNIT CONTROL

Integrated Peripheral Unit/Set-top Box Controller for two units, allowing you to control set-top boxes with the Bang & Olufsen remote control

### MOTORISED TURN FUNCTION

1 x micro-fit 4 pin

### SOCKET EXTERNAL

#### ROOMSENSE MICROPHONE

3.5 mm jack  
 Slider for microphone mute

## Other information

### DESIGNER

Noto GmbH

### LISTENING MODES

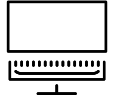
5 customisable listening modes

### LISTENING POSITIONS

Yes

### ACCESSORIES

Beovision Theatre table stand cover in:  
 Silver aluminium  
 Gold Tone aluminium  
 Black Anthracite aluminium



**Basic**

**BEOVISION THEATRE 55"**

**PLACEMENT OPTIONS**

- Table stand
- Motorised floor stand
- Motorised wall bracket

**WEIGHT**

Table stand incl LG G3 TV:  
49 kg

Motorised floor stand incl. LG G3 TV:  
69 kg

Motorised wall bracket incl. LG G3 TV:  
62 kg

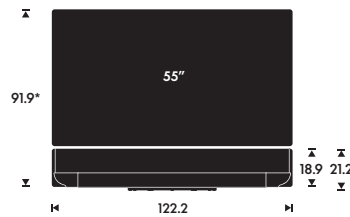
**MOTORISED FLOOR STAND**

The maximum turning angle is +/- 35 degrees. It requires 9 cm distance from wall.

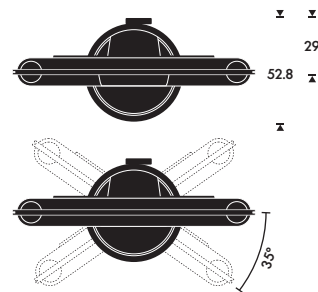
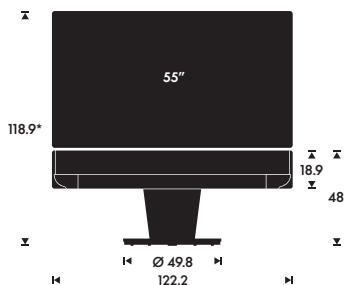
If the rear part of the floor stand is placed against the wall, the screen can be turned: +/-18 degrees.

**Product Dimensions**

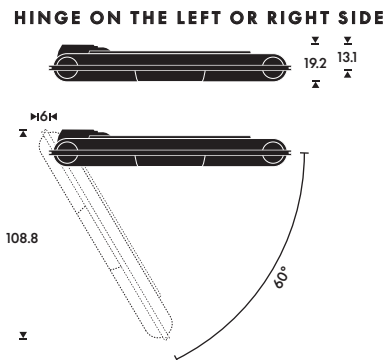
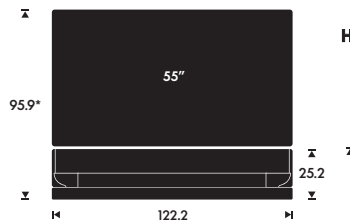
**TABLE STAND**



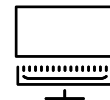
**MOTORISED FLOOR STAND**



**MOTORISED WALL BRACKET**



*\*Height depends on TV model*



Basic

BEOVISION THEATRE 65"

PLACEMENT OPTIONS

- Table stand
- Motorised floor stand
- Motorised wall bracket

WEIGHT

Table stand incl LG G3 TV:  
53 kg

Motorised floor stand incl. LG G3 TV:  
73 kg

Motorised wall bracket incl. LG G3 TV:  
68 kg

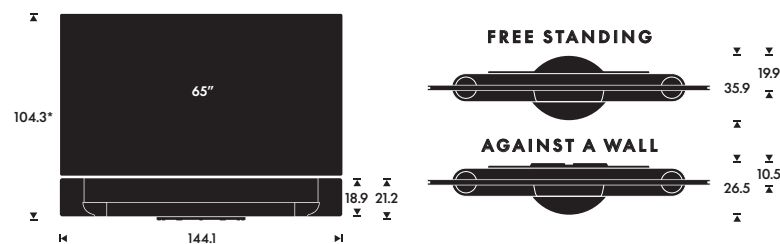
MOTORISED FLOOR STAND

The maximum turning angle is +/- 35 degrees. It requires 14 cm distance from wall.

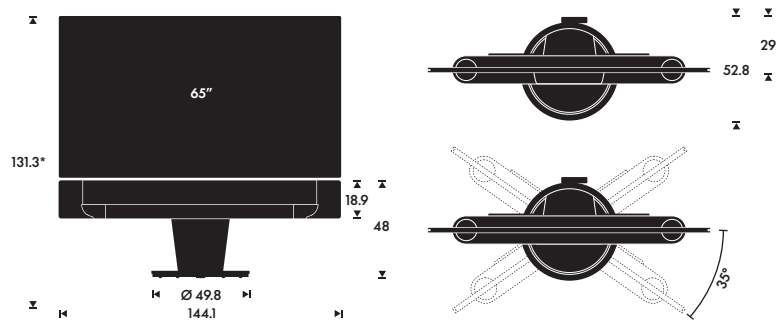
If the rear part of the floor stand is placed against the wall, the screen can be turned: +/-18 degrees.

Product Dimensions

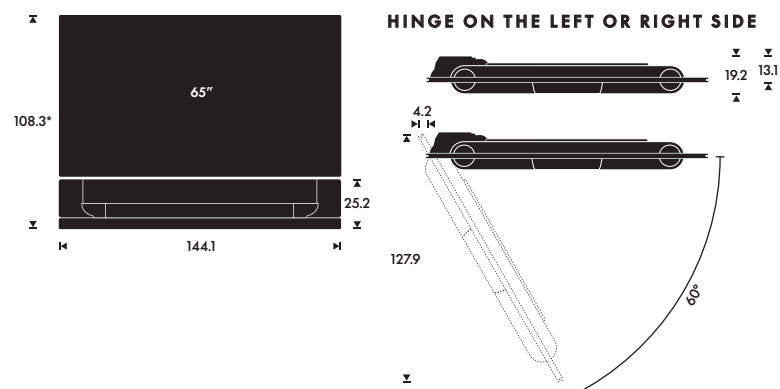
TABLE STAND



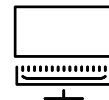
MOTORISED FLOOR STAND



MOTORISED WALL BRACKET



\*Height depends on TV model



Basic

BEOVISION THEATRE 77"

PLACEMENT OPTIONS

- Table stand
- Motorised floor stand
- Motorised wall bracket

WEIGHT

Table stand incl LG G3 TV:  
66 kg

Motorised floor stand incl. LG G3 TV:  
87 kg

Motorised wall bracket incl. LG G3 TV:  
85 kg

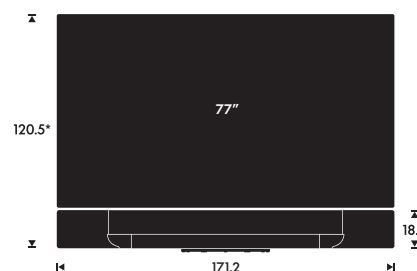
MOTORISED FLOOR STAND

The maximum turning angle is +/- 35 degrees. It requires 22 cm distance from wall.

If the rear part of the floor stand is placed against the wall, the screen can be turned: +/-15 degrees.

Product Dimensions

TABLE STAND



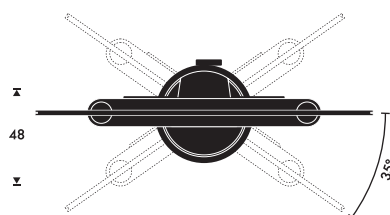
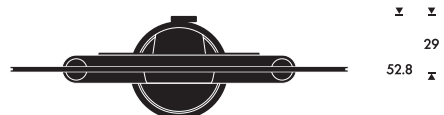
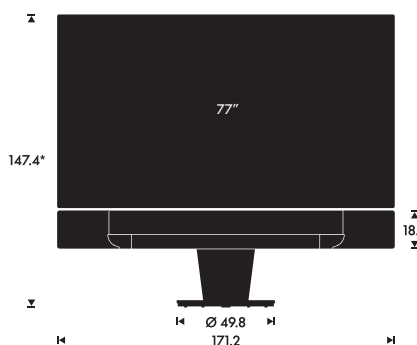
FREE STANDING



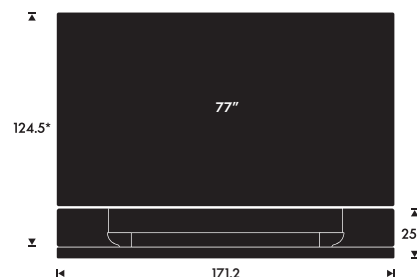
AGAINST WALL



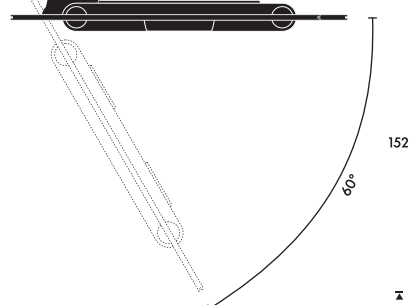
MOTORISED FLOOR STAND



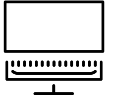
MOTORISED WALL BRACKET



HINGE ON THE LEFT OR RIGHT SIDE



\*Height depends on TV model



**FRAME**

Silver aluminium



**SPEAKER COVER**

Oak

**FRAME**

Silver aluminium



**SPEAKER COVER**

Grey mélangé fabric

**FRAME**

Black Anthracite  
aluminium



**SPEAKER COVER**

Dark oak

**FRAME**

Gold Tone aluminium



**SPEAKER COVER**

Light oak



**Available for customisation**

With the B&O AR Experience app, you can preview the customisation options and view the speakers in different rooms.

Ask in store or visit  
[www.bang-olufsen.com](http://www.bang-olufsen.com)  
for more information.

